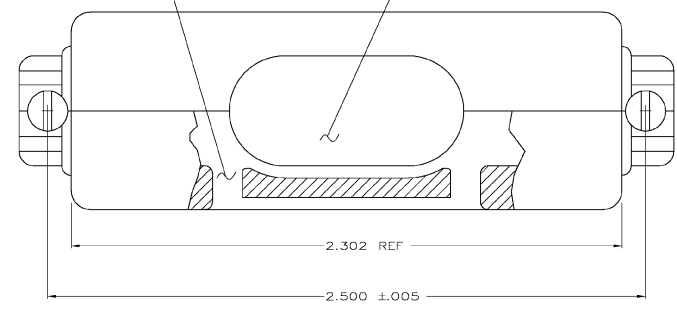


REVISONS		DATE	BY	APP'D
GP	00			
F	01			
B		REVISED PER EC 0613-0512-03	OSMARD4	BM JG

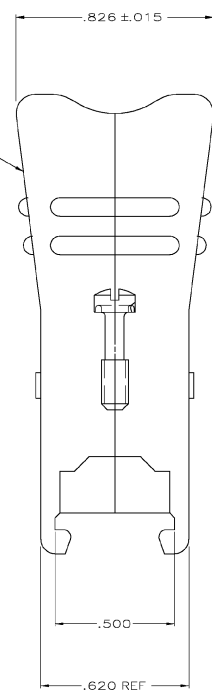
- 1 THIS PART WILL FIT ANY SIZE 4 PLUG OR RECEPTACLE IN THE AMPLITE SERIES CONNECTOR.
 - 2 ALL PARTS ARE PACKAGED UNASSEMBLED.
- ONE KIT PER POLY BAG.
 SAME AS -1 EXCEPT BULK PACKAGED

INTERNAL CABLE TIE OPENINGS

CABLE OPENING OF .358 SQUARE INCHES \approx .675 DIA

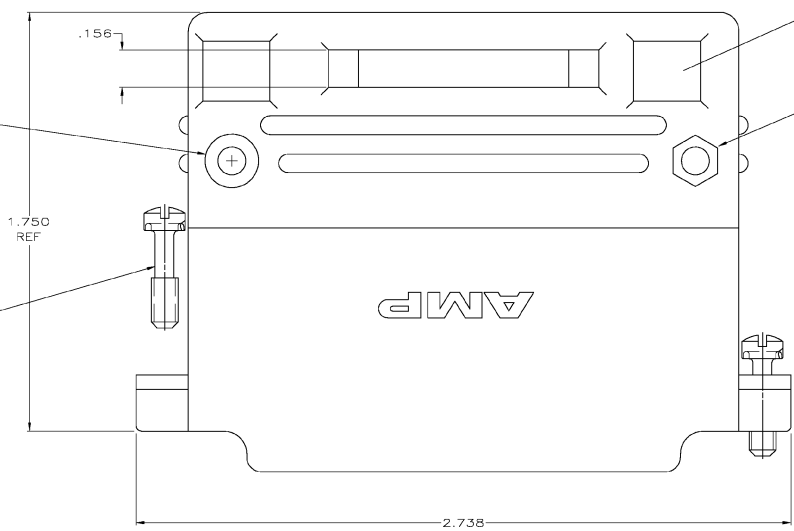


TWO PIECE CABLE SUPPORT HOUSING MATERIAL—THERMOPLASTIC GRAY



#4-40 STEEL SCREW ZINC PLATED 2 REQUIRED

#4-40 CRS SCREW ZINC PLATED 2 REQUIRED



EXTERNAL CABLE TIE OPENINGS

#4-40 HEX NUT STEEL/ZINC PLATED

	745081-2
	745081-1
PACKAGING	PART NUMBER

THIS DRAWING IS A CONTROLLED DOCUMENT.		DR: MCMMASTER	ENGR: [blank]	TYCO Electronics Corporation
DESIGNED BY: M. WALMSLEY		CHK: [blank]	ENGR: [blank]	Headquarters, P.O. 17105-3608
DRAWN BY: [blank]		APP: [blank]	ENGR: [blank]	
MATERIAL: SEE CALLOUT		FINISH: SEE CALLOUT	WEIGHT: [blank]	SIZE: A1
CUSTOMER DRAWING		SCALE: 4:1	SHEET: 1 OF 1	REV: B